

Product Highlights

High-speed Gigabit for high-bandwidth services

A total solution that helps you connect to fiber services and enabling you to enjoy high-bandwidth services such as 4K/8K HD video streaming and cloud-based data storage.

Bridge mode enables seamless triple-play services

DPN-101G enables users to enjoy seamless high-quality triple-play services such as voice, data and video with high Internet speed.



DPN-101G GPON ONT Bridge

Features

Connectivity

- One SC/APC PON Port
- One 10/100/1000 Gigabit LAN Port

Configuration and Management

- Remote management with advanced PLOAM functions
- Management through G.984.4 OMCI (ONT Management and Control Interface)
- Shell & Logger for advanced user configuration/diagnostic usage
- Telnet session for remote management

Advanced Energy-saving

- Supports Smart@CHIP and GreenTouch architecture

The DPN-101G GPON ONT Bridge is a smart ONT with a Gigabit port designed for multi-service networks. It comes with a plug-and-play design, terminating the GPON link and deliver Ethernet broadband service to users. Suitable for open network architecture in residential areas that utilizes various bandwidth-consuming applications.

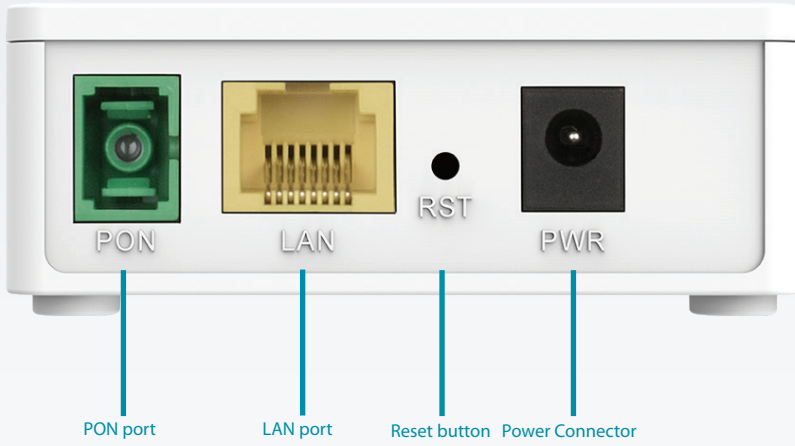
Fast and Reliable Home Transmission

The D-Link DPN-101G GPON ONT Bridge can reach a PON transmission rate of downlink 2.5Gbp/ uplink 1.25Gbps. When GPON ONT Bridge is connected with an OLT, it can reach up to a 1:128 splitting ratio with a network radius that can reach up to 20km.

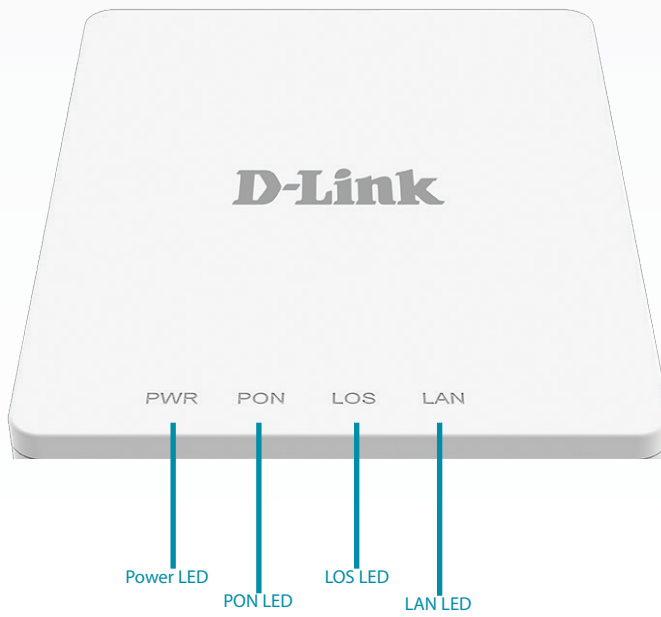
OMCI (ONT Management and Control Interface)

The D-Link DPN-101G GPON ONT Bridge lets you manage your device through the standard OMCI defined by ITU-T, this includes configuration, alarm, performance monitoring, fault isolation and security management, and private OMCI.

Back View



Top View



Technical Specifications

General

Device Interfaces	<ul style="list-style-type: none"> • One SC/APC PON Port 	<ul style="list-style-type: none"> • One 10/100/1000 Gigabit LAN Port
PON Interface	<ul style="list-style-type: none"> • Downlink 2.5Gbps • Network covering radius: 20km • Hi-sensible optical receiver: ≤-28dBm • Radiation power: 0.5 ~5dBm 	<ul style="list-style-type: none"> • Uplink 1.25Gbps • SC/APC • ONU authentication mechanism
Standards	<ul style="list-style-type: none"> • PPPoE • ITU-T G.984/G.988 • IEEE 802.1D, Spanning Tree 	<ul style="list-style-type: none"> • IEEE 802.1Q, VLAN • ITU-T Y.1291 • IEEE 802.1w, RSTP
VLAN Protocols	<ul style="list-style-type: none"> • Port based VLAN 	<ul style="list-style-type: none"> • IEEE 802.1Q VLAN

Functionality

EPON Encryption	<ul style="list-style-type: none"> • AES128 algorithm encryption MAC/Loid/Hybrid authentication 	
Security	<ul style="list-style-type: none"> • MAC filter 	
Multicast	<ul style="list-style-type: none"> • IGMP-Snooping 	<ul style="list-style-type: none"> • Multicast fast-leave
QoS	<ul style="list-style-type: none"> • Four priority queues on each port • Port rate limit • WR, SP and FIFO queue schedule algorithms 	<ul style="list-style-type: none"> • IEEE 802.3x flow control (full duplex) • IEEE 802.1p, CoS • SLA and DBA
Management	<ul style="list-style-type: none"> • Management modes including CLI, HTTP, SNMP and TELNET • Local or server syslog 	<ul style="list-style-type: none"> • Software upgrade through TFTP, WEB and OMCI

Physical

Dimensions	<ul style="list-style-type: none"> • 105 x 75 x 26 mm (4.13 x 2.95 x 1.02 inches) 	
Weight	<ul style="list-style-type: none"> • 100 grams (0.22 pounds) 	
Power	<ul style="list-style-type: none"> • Input: 100 ~ 240 V 	<ul style="list-style-type: none"> • Output: 12 V / 1.5 A
Temperature	<ul style="list-style-type: none"> • Operating: 0 to 45 °C (32 to 113 °F) 	<ul style="list-style-type: none"> • Storage: -40 to 80 °C (-40 to 176 °F)
Humidity	<ul style="list-style-type: none"> • 10 % to 85 % non-condensing 	
Certifications	<ul style="list-style-type: none"> • CE 	

Order Information

Part Number	Description
DPN-101G	GPON ONT Bridge

Updated 2019/12/17