



# APPROVAL SPECIFICATION

PLEASE APPROVE & RETURN BEFORE 2022/11/,  
OR WE WOULD REGARD IT HAS BEEN CONFIRMED.

Customer: \_\_\_\_\_

Product Name: NetAgent9 Mini Go-S USB /簡易版/內接式/LF

Part No.: UO-ACS0304

Model: MR-USAS03

Rev.: V1.0

Date: \_\_\_\_\_

	APPROVED	CHECKED	ISSUED
NAME			<i>Richard Luy</i>

**深圳市火星河谷科技有限公司**  
MARSRIVA CORPORATION LIMITED.  
深圳市宝安区西乡街道劳动社区前海科兴科学园5号楼  
電話:+86-75523350016 傳真: +86-75523350016  
<http://www.marsriva.com>  
e-mail:info@marsriva.com



Mega System Technologies, Inc.

## **Contents**

1. General Specification
2. Power Specification
3. Pin Assignment
4. Signal Specification
5. Environment Specification
6. Dimension and Outlook
7. Packing



## 1. General Specification

CPU	ARM 300MHz 32Bit
System Clock	300MHz
Flash Memory	128M Byte
SDRAM	64M Byte
LED	5
Watch Dog	Yes
USB Port	1
Modem Port	No
Environment Port	No
Real Time Clock	No
LCD Display	No
LAN Interface	10M/100M UTP
Ethernet Throughput	1620K Byte per seconds
Ethernet Latency	0.759 milliseconds

## 2. Power Specification

### NetAgent9

ITEM	Minimum	Maximum
DC Input Voltage	+5V	+15V
DC Input Current		6W Maximum

## 3. Pin Assignment

Pin	Input/Output	Description
P1 GND	GND	Ground PIN
P2 PowerIn	Input	DC power input.
P3 RS232 TXD	Output	+5.5V and -5.5V Voltage level for RS232
P4 RS232 RXD	Input	-3V to -15V for logic '1', +3V to +15V for logic '0'
P5-P7	No USE	
P8 SNMPSIG		NetAgent card plug in detect, connect to PIN 10
P9 GND	GND	Ground PIN
P10 SNMPSIG		NetAgent card plug in detect, connect to PIN 8
P11-P26	No Use	



## 4. Signal Specification

### Receiver Inputs

PARAMETER	CONDITIONS	MIN	TYP	MAX
Input Voltage Range		-25V		+25 V
Input Threshold Low	TA = +25°C	+0.6V	+1.2V	
Input Threshold High	TA = +25°C		+1.5V	+2.4V
Input Hysteresis			0.3 V	
Input Resistance	TA = +25°C	3 k ohm	5 k ohm	7k ohm

### Transmitter Outputs

PARAMETER	CONDITIONS	MIN	TYP	MAX
Output Voltage Swing	All transmitter outputs loaded with 3k ohm to ground	±5.0V	±5.4V	
Output Resistance	TA = +25°C	300	10M	
Output Short-Circuit Current			±35 mA	±60 mA

### USB Port

Parameter	Description
Output Power	Maximum 500mA
USB Function	Universal Serial Bus Specification Rev. 2.0
Data Transfer	Supports data transfer at High-speed(480Mbit/sec), Full-speed(12Mbit/sec) and Low-speed (1.5Mbit/s)

## 5. Environment Specification

PARAMETER	CONDITIONS	Minimum	Maximum
Operating Temperature		0 °C	60 °C
Storage Temperature		-40 °C	85 °C
Operating Humidity	Non-Condensing	10% RH	90% RH
Storage Humidity	Non-Condensing	5% RH	95% RH

EMI
FCC Class B, CE



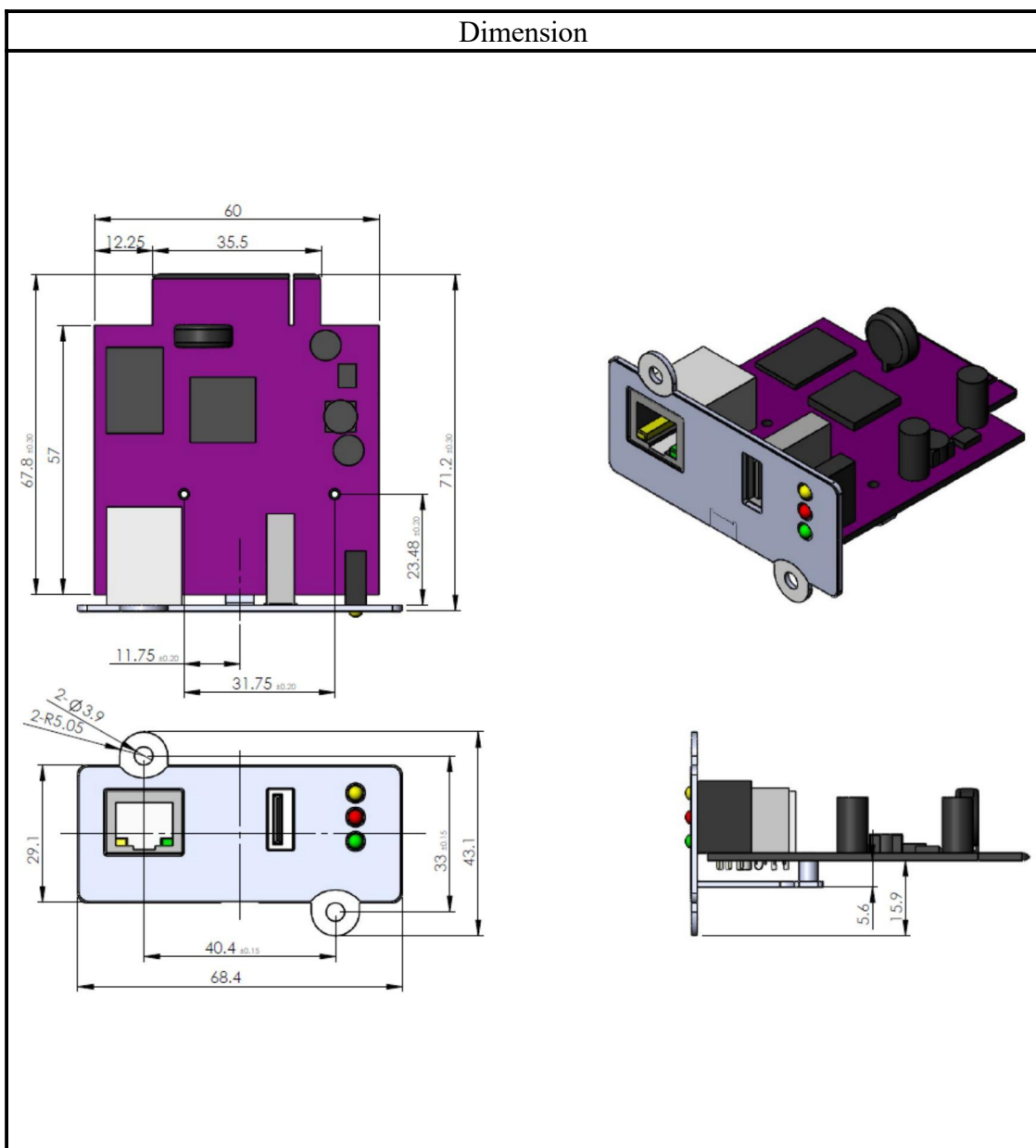
Mega System Technologies, Inc.

## 6. Dimension and Outlook

The whole package includes the following items.

### A. NetAgent9 Module

Dimension	67.8mm(L) x 68.4mm(W) x 29.1mm(H)
Weight	50.4g±2g





Mega System Technologies, Inc.

Outlook

Top view





Mega System Technologies, Inc.

Bottom view





Mega System Technologies, Inc.

### B. Shielding Bag

Dimension	200mm(L) x 110mm(W)
Weight	3.5g±0.5g



### C. Desiccant

Dimension	48mm(L) x 39mm(W)
Weight	2.1g±0.5g





Mega System Technologies, Inc.

## 7. Packing

### Internal packaging

Dimension	67.8mm(L) x 68.4mm(W) x 29.1mm(H)
Weight	56g±5g
Envelope	In a plastic bag, 20cm(L) x 11cm(W)

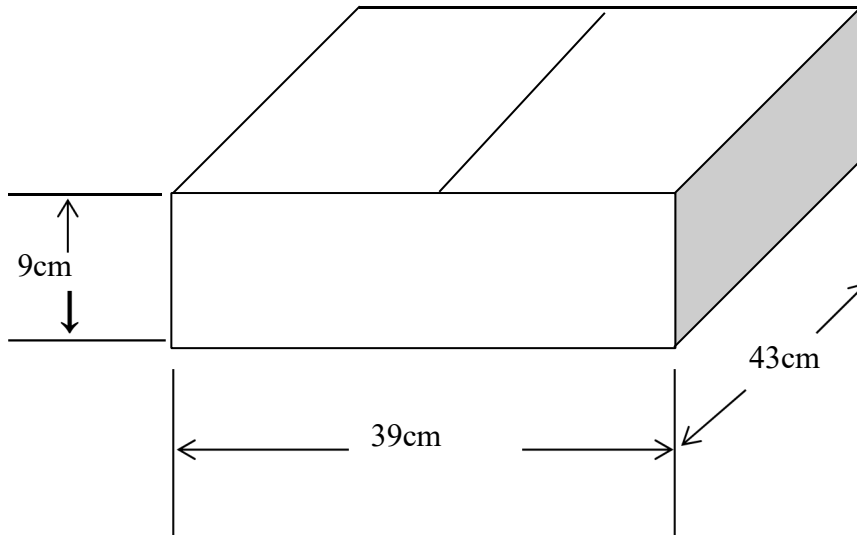




Mega System Technologies, Inc.

The Packing is using a cardboard box.

Dimension	43cm(L) x 39cm(W) x 9cm(H)
Quantity	50sets
Total Weight	3440g±200g



\* For 50pcs DS807

