

Smart Mini DC UPS

Keep Wi-Fi Power On

ET1



AC \rightarrow DC
0 ms Transfer



V-0 Flame-retardant
Plastic Enclosure



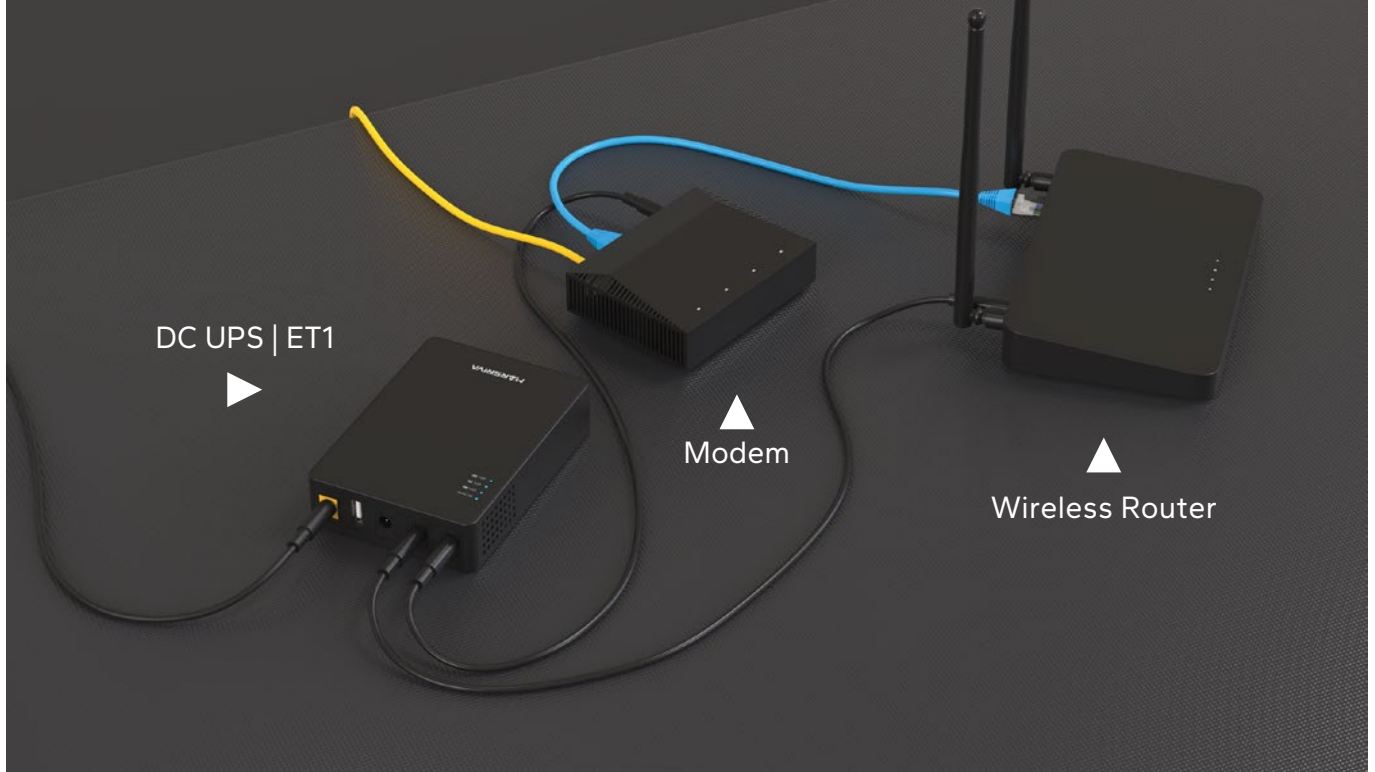
Overcharge & Overdischarge
Protection

FEATURES

- 0ms transfer technology keeps your devices working when electricity is ON / OFF shifting.
- With wall-mount slots on the back, ET3 can be mounted on wall easily.
- Air cooling system provides maximum heat dissipation, ensuring the long-term stability of UPS.
- V-0 flame retardant product housing secures you and your property.
- 8400mAh high-capacity battery provides longer backup time.
- 18W high-power output provides better compatibility.

TYPICAL APPLICATION SCENARIO

Powering up Modem and Wireless Router

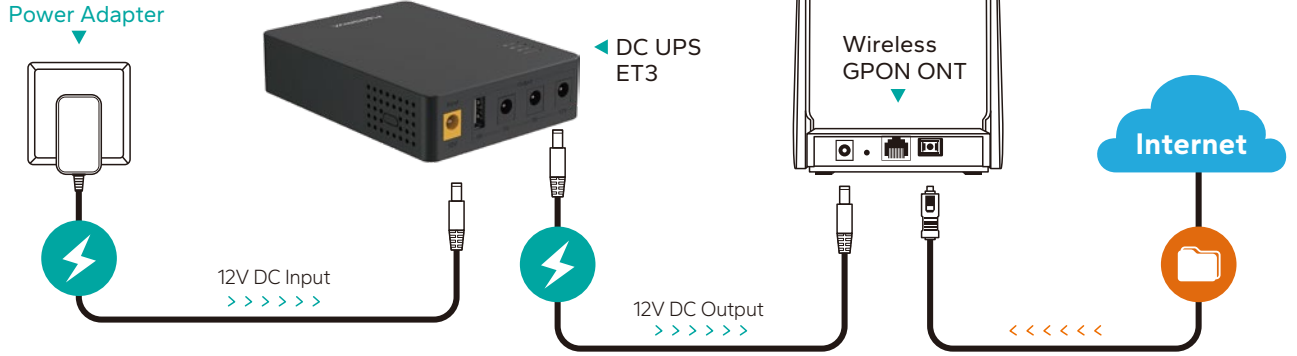


SPECIFICATIONS

Model		ET3
Battery Capacity		30.24Wh
Battery Type		Lithium-ion
		3.6V/ 8400mA (4200mAh*2)
Input		DC 12V
Output	DC1	12V / 1.5A
	DC2	9V / 2.0A
	DC3	5V / 2.0A
	USB	5V / 2.0A
Total Output		18W (Max.)
Net Weight		278g
Unit Dimension (L*W*H)		115 * 83 * 27 mm
Operate Temperature	UPS Mode	0°C – 40°C
	Battery Mode	-15°C – 50°C
Operate Humidity		Less than 75%RH
Storage		15°C – 35°C, 40 – 75%RH

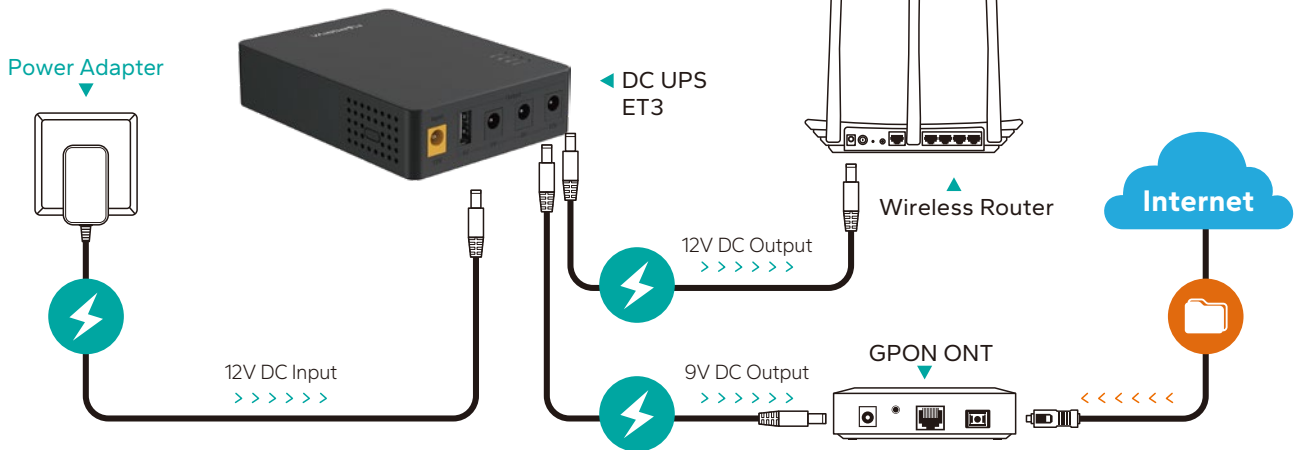
TYPICAL TOPOLOGY 1

Powering up Wireless GPON ONT



TYPICAL TOPOLOGY 2

Powering up GPON ONT and Wireless Router



TYPICAL TOPOLOGY 3

Powering up GPON ONT, Wireless Router and Camera

