

# 1-Port 2.5GE LAN XPON Terminal

MODEL:XZ005-G6



## Overview

TP-Link's 1-Port 2.5GE LAN XPON Terminal XZ005-G6 provides up to 2.488 Gbps downstream and 1.244 Gbps upstream bandwidth simultaneously. It meets the higher bandwidth demand of various high-bandwidth services. It also reduces both capital and operating expenditure, protecting ISPs' existing infrastructure investments.



### High-Speed GPON Service

Full 2.5G Port-Fiber access provides incredibly fast transfer speeds.



### Full Gigabit Wired

Supports maximum data rates of up to 2.488Gbps downstream, 1.244Gbps upstream.



### Make Your Fiber-to- the-Home

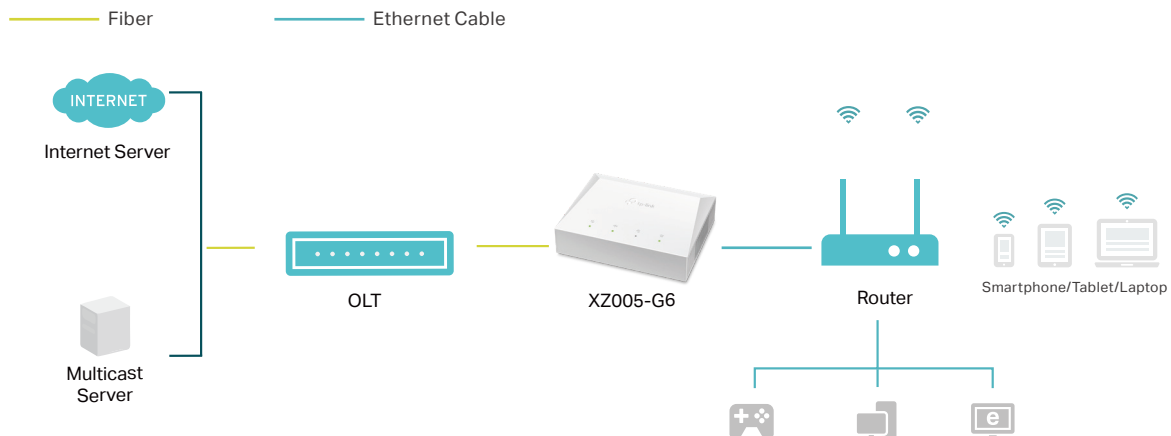
A Gigabit/Ethernet Passive Optical Network (XPON) terminal, which is ideal for fiber-to-the-home solutions.



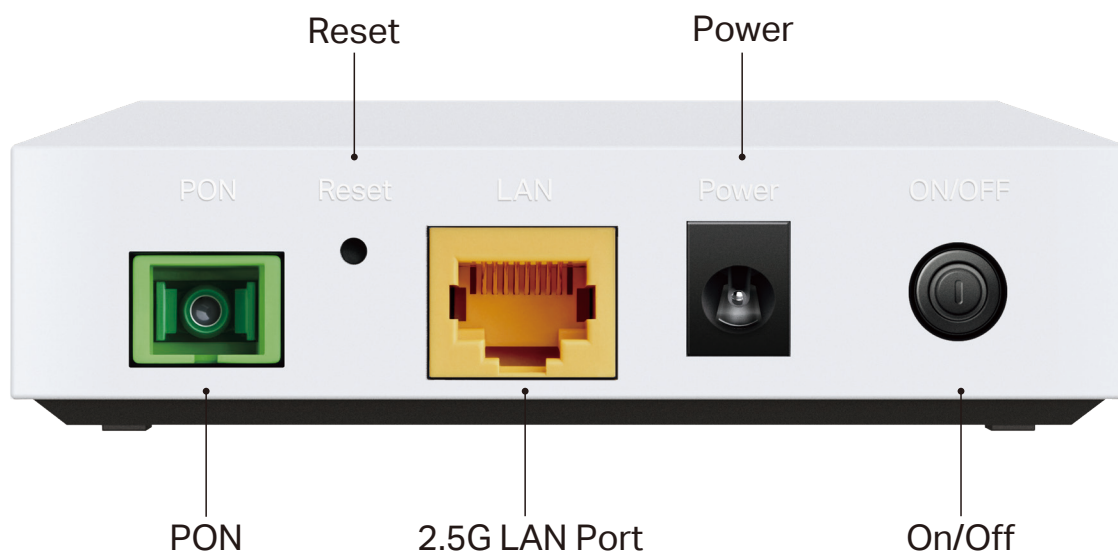
### Easy Remote Management

Supports OMCI, easy to activate, configure and manage remotely.

## Network Topology



## Hardware Description



# Specifications

## Hardware

- Interface  
1× 10/100/1000/2500 Mbps LAN Port,  
1× SC/APC PON Port
- Button  
Reset Button, Power ON/OFF Button
- Power Adapter Input  
100-240V/50-60Hz
- Power Adapter Output  
9V/0.6A
- Dimensions (W \* D \* H)  
3.7 x 3.0 x 1.2 in. (95.0 x 75.0 x 29.3 mm)
- CPU  
300MHz CPU

## General Specifications

- GPON  
ITU G. 984 standard, Class B+  
2.488Gbps downstream/1.244Gbps upstream
- EPON  
1000BASE-PX20+ symmetric  
1.25Gbps downstream/upstream
- Wavelength  
1490nm downstream/1310nm upstream
- Receiving sensitivity  
GPON: -27dBm; EPON: -27dBm
- Saturated power  
GPON: -8dBm; EPON: -3dBm
- Transmitting power  
GPON: 0.5~5dBm; EPON: 0~4dBm
- Transmitter  
DFB Laser
- Receiver  
PIN-TIA
- Distance  
0~20Km Max

## Software

- Protocols  
Supports IPv4 and IPv6
- Working Mode  
Bridge
- Features  
GPON, EPON, DBA, FEC
- Management  
Local management, OMCI, Telnet
- VLAN  
802.1Q tag VLAN
- VLAN Mode  
Transparent/Translation/Trunk
- Authentication  
Based on SN and Password, VLAN Auto Detect
- IGMP  
IGMP v1/v2/v3
- Security  
AES Encryption, Packet Filter based on VLAN
- Advanced Functions  
Upstream and Downstream FEC, Dynamic Bandwidth Allocation(DBA) Support NSR/SR, Up to 16 T-CONTs and 256 GEM Ports, Optical Power Detection, Dying Gasp, Terminal Silent Mechanism

## Others

- Certification  
CE, RoHS
- System Requirements  
Internet Explorer 11+, Firefox 12.0+, Chrome 20.0+, Safari 4.0+, or other JavaScript-enabled browser  
Cable or DSL Modem (if needed)  
Subscription with an internet service provider (for internet access)
- Environment  
Operating Temperature: 0°C~40°C (32°F~104°F),  
Storage Temperature: -40°C~60°C (-40°F ~140°F)  
Operating Humidity: 10%~90% non-condensing  
Storage Humidity: 5%~90% non-condensing
- Package Contents  
1-Port 2.5GE LAN XPON Terminal XZ005-G6  
1× Power Adapter  
1× Quick Installation Guide